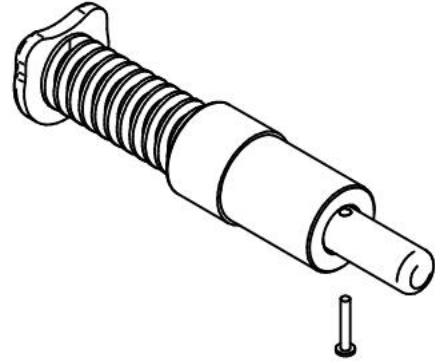


COMPACT FLAT WIRE KIT INSTRUCTIONS



Installation

Slide the spring over the guide rod with the flat coil resting against the flat pad on the guide rod.

Place the spring plug on the other end of the spring and carefully compress the spring until the detent hole in the guide rod is visible. ***CAUTION*** Compressed springs can be dangerous! Ensure that you are wearing proper eye protection.

Insert the staking pin into the detent hole in the guide rod and slowly allow the spring to push the spring plug until it stops against the staking pin.

Install the spring assembly into the rear of the slide after the barrel has been inserted and slide the slide onto the frame.

Insert the slide stop and cock the slide backwards. The staking pin should fall out but if it does not, remove it.

Disassembly

Pull the slide back and hold it in position with one hand.

Carefully insert the staking pin into the guide rod's detent hole and slowly allow the slide to come forward until it stops on the staking pin.

Remove the slide stop and remove the slide from the frame.

Pull the spring assembly from the slide and push the spring plug down, compressing the spring. ***CAUTION*** Compressed springs can be dangerous! Ensure that you are wearing proper eye protection.

Remove the staking pin and slowly allow the spring to extend and push the spring plug off the guide rod.